



North East Georgia Mustang Club

# PONY TALES

Volume 3 Issue 2

[www.negeorgiamustangclub.org](http://www.negeorgiamustangclub.org)

March 2007

*NEGMC Officers*

**President**

David Osborn-#34157

**V-President**

John Garrett #34786

**Secretary**

Jodi Anne Osborn #34157

**Treasurer**

Randy Church #17916

**Newsletter**

David Johnson #48722

**Inside this issue:**

|                                |   |
|--------------------------------|---|
| <i>Pony Roundup</i>            | 2 |
| <i>Get Well</i>                | 2 |
| <i>Birthdays-Anniversaries</i> | 2 |
| <i>New Member Spotlight</i>    | 3 |
| <i>Upgrade Section</i>         | 3 |
| <i>Advertisers</i>             | 4 |

## Gatlinburg Getaway

We had our annual "Gatlinburg Getaway" the first weekend in March. It was a little chilly when we left from the park n ride but the sun was shining. The caravan included Richard & Linda Groont, John Garrett, David, Jodi Anne & Brandi Osborn, David & Sherry Johnson, Joe & Robyn Huff. A few miles up the road we arrived at the Dillard House for the killer breakfast where we met up with Jeff & Debra Ramey. As usual we had Gerri as our waitress and the breakfast was a blast with lots of laughs. Joe & Robyn headed back to



### Check In at Greystone Lodge

home while the rest of us headed to Gatlinburg. After an uneventful trip, we checked in to the hotel and did a little shopping before dinner at Hard Rock. Dinner at Hard Rock was a little unusual in that someone actually got married while we ate dinner. We spent a few hours laughing and just having a good time. Sunday morning we woke up to SNOW. We built a snowman on the balcony. Breakfast at Cracker Barrel was good as always and we drove back to the hotel to check out. After checkout, we



headed to the park for the trip back to Cherokee and then home. Surprise! The park was closed and we had to go the long way home via Knoxville and Chattanooga. Come to find out, Jeff and Debra new another way home and beat us by hours. Need to get their cell # next time.



# Pony Roundup

Once again we are going to host a car show/cruise in at Mustangs Unlimited this spring. We are holding registration from 10:00 till 12:00 and expect to give trophies out at 4:00. We will pick the top 20 and Mustangs Unlimited staff will pick the best of the show. We plan to arrive about 8:30 or so to get the tent, pa, and parking set up. Mustangs Unlimited is providing several door prizes and is arranging for food and drink to be available for the participants



## GET WELL !!



Two of our members are a little under the weather and could use a little get well wish. Give them a call or drop a line and wish them a quick recovery. They are Linda Groont and David Rusnak. Linda's phone is 770-985-0141.

David's phone is 770-554-0643



## Birthdays & Anniversaries

### Birthdays

John Garrett

David Irvin

Rod Morgan

### Anniversaries

Randy & Brenda Fleeman

# New Member Spotlight

We have a new member Dave Million. He joined at the last meeting. Dave lives in Loganville and has a modified 06 GT. His modifications include:

Front chin spoiler from Creative Design Concepts, Hood scoop from Roush, Paint Work by Teds Auto Body, Tucker Ga., Sequential Taillights from Creative Design Concepts, FRPP Lowering springs, FRPP Mufflers, FRPP Strut tower brace, FRPP Chrome valve covers, FRPP Oil fill cap, Roush Strut tower cap kit, C&L Cold air intake with billet MAF housing, Diablosport Predator Tune.

In the future he plans to add:

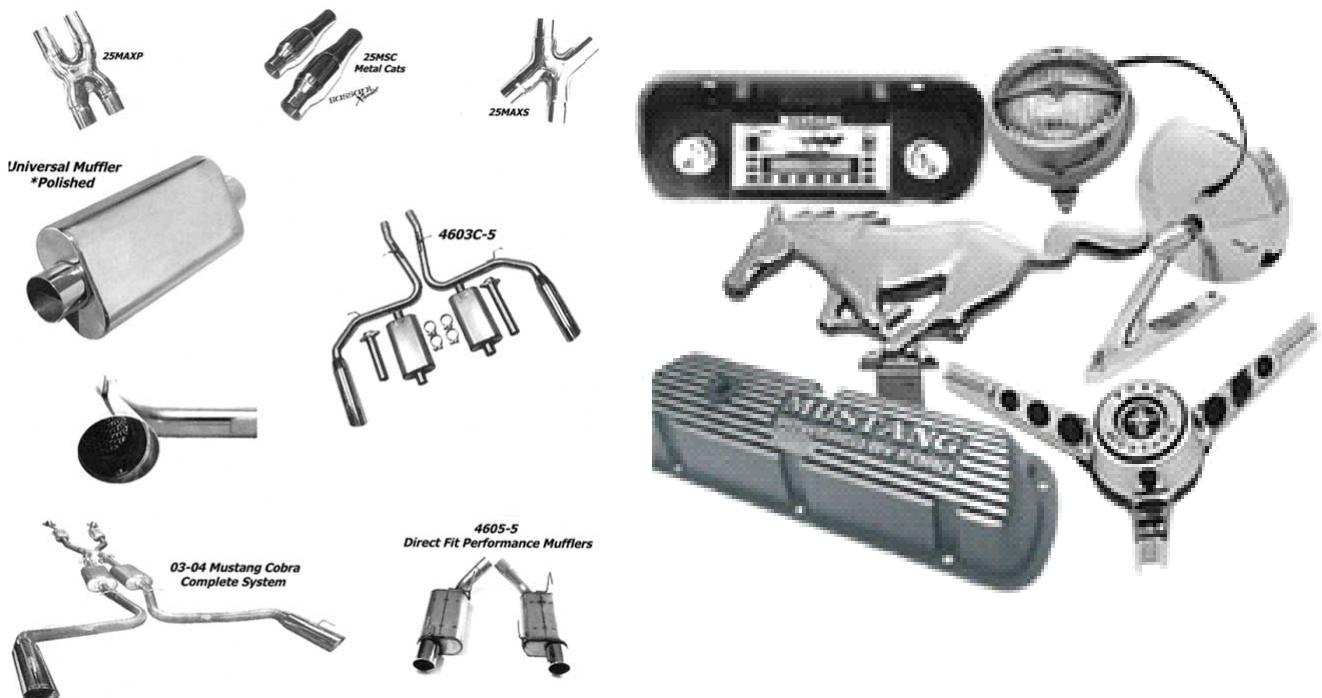
Different rear spoiler, Underdrive Pulleys, Ceramic Coated headers

\*\*\*If you would like to see your ride here—send me pictures\*\*\*



## UPGRADE COLUMN

Last newsletter I included a section covering some ignition upgrades available for our older Mustangs. I received several positive comments from members so I'll try to continue the section. In the future I'll cover some drive ability or performance upgrades that are available for either the early and late model Mustangs. I'll try to alternate between the classics and the new classics.



# Jacky Jones Ford

Highway #138, South  
 Cleveland, Georgia 30528  
 (706) 865 - 2168  
 (770) 945 - 0536  
 "Certified Saleen / Ford Dealer"

# Members in Business

**BILLY CAIN**  
 www.billycainfordmercury.com  
 "Where the Bottom Line is Less and the Service is Best"  
 4191 Maysville Road  
 Commerce, GA 30529  
 (706) 335-3105  
 Fax (706) 335-6692  
**RANDY CHURCH**  
 Parts Manager  
 Cornelia (706) 778-3673  
 Atlanta (706) 654-4743



Automotive Related Decals, Shop & Owners Manuals  
 101 Ridgecrest Drive  
 Lawrenceville, GA 30045  
 www.osborn-reproduction.com  
 Email: dosborn@osborn-reproduction.com  
 David Osborn  
 (770) 962-7556  
 Fax (770) 962-5881

# Mustangs Unlimited

PERFORMANCE, RESTORATION, & ACCESSORY PARTS

Visit Us Online Anytime At:  
 www.mustangsunlimited.com

2505 Newpoint Pkwy  
 Lawrenceville, GA 30043  
 (770) 446-1965  
 24hr. FAX (770) 446-3055

Your Premier Source for  
 1965-1973 Mustang  
 1965-1970 Shelby  
 1974-2005 Mustang  
 1967-1973 Cougar  
 Parts and Accessories



**TOM DUGAN**  
 Tel. 770.962.5678 - Fax 770.962.2992  
 www.dugan-racing.com  
 659 Airport Road  
 Lawrenceville, GA 30045  
 duganracing659@yahoo.com

**MUSTANG 2005**

PROMPT RESPONSE  
 RADIO DISPATCHED



Rainbird • Hunter

## SPRINKLES IRRIGATION, INC.

IRRIGATION AT ITS FINEST  
 (770) 466-6678

2391 RABBIT FARM CIRCLE • LOGANVILLE, GA 30052  
 www.sprinklesirrigation.com

**CHRIS AGEE**  
 FREE ESTIMATES

WE ANSWER OUR  
 PHONES! 9-5 M-F

## GYP SUM DRYWALL II

4449 Benefield Road  
 Braselton, GA 30517  
 Fax (770) 965-9186

**JOHN GARRETT**  
 Cell 404-697-0030  
 Home 770-967-2809  
 Nextel 21\*23974

**PAT GARRETT**  
 Cell 404-277-9775  
 Home 770-967-2809  
 Nextel 21\*47707

## RAMEY MOTORS, INC.

24 HOUR TOWING AND TRUCK SALES



Phone: 706-865-4300  
 706-754-2184  
 Fax: 706-219-2522

5933 Hwy. 115 East  
 Cleveland, GA 30528  
 ramtrks@hemc.net